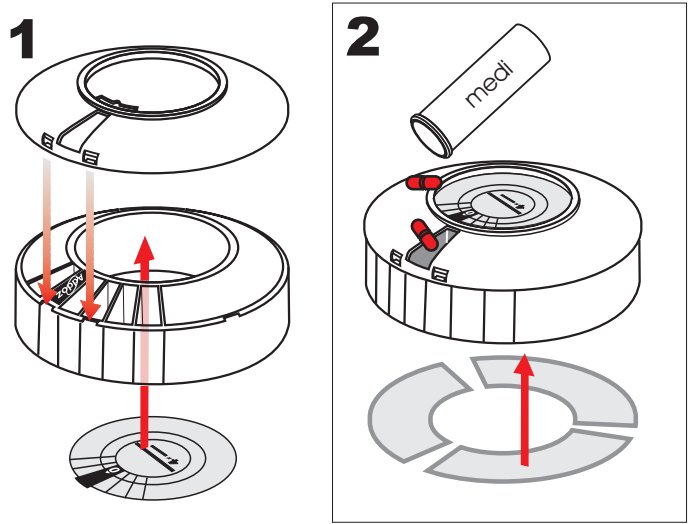
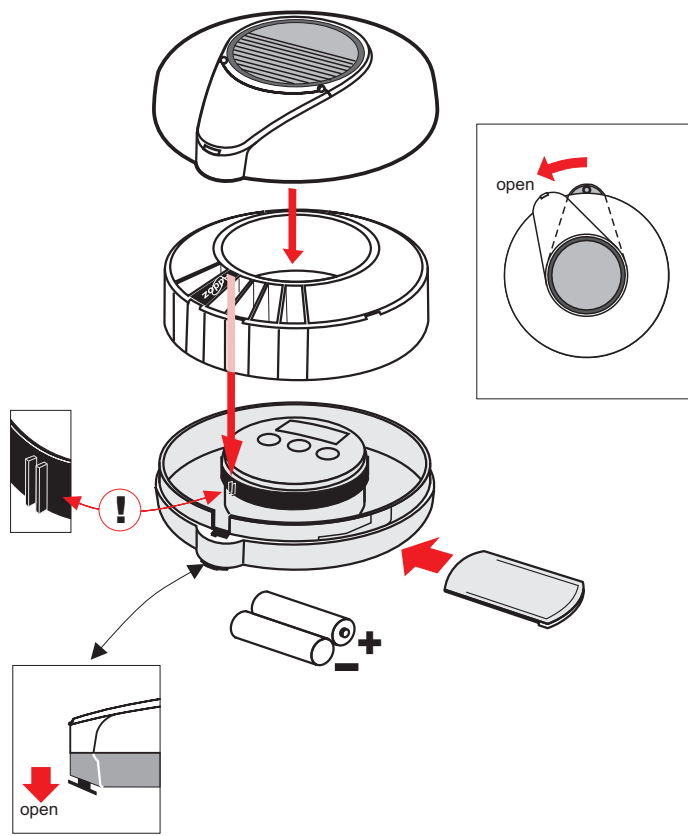


Addoz

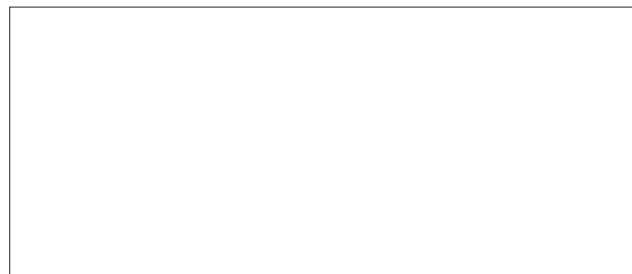
Med-O-Wheel Smart
-for safe dosage

Addoz

Med-O-Wheel Smart
-for safe dosage



Dealer



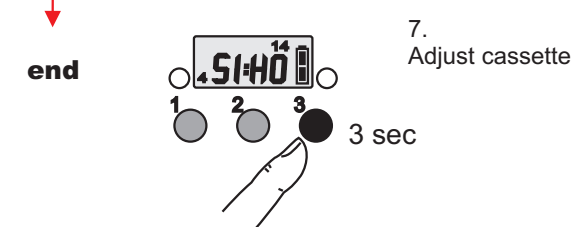
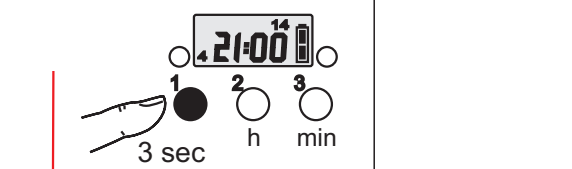
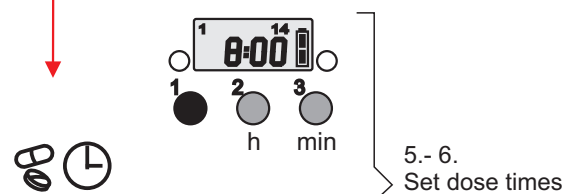
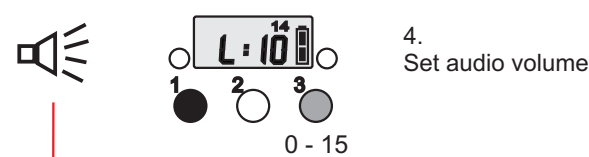
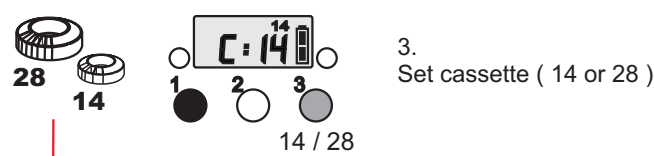
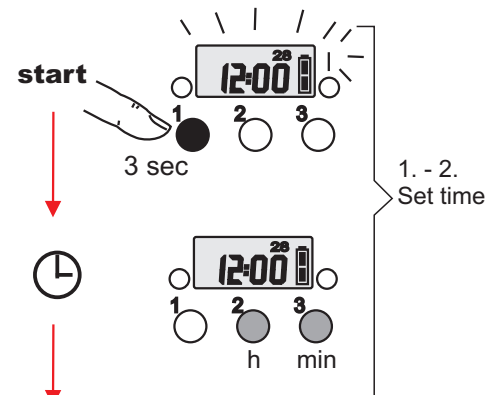
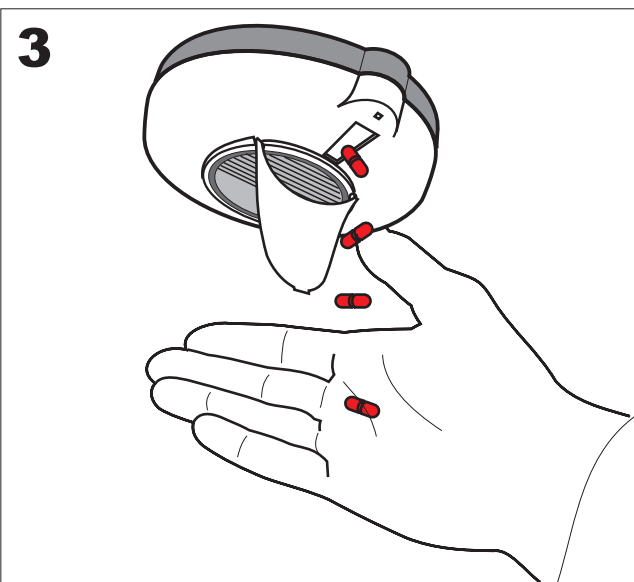
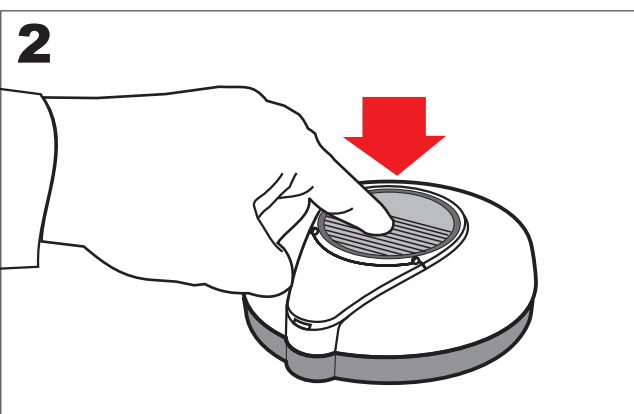
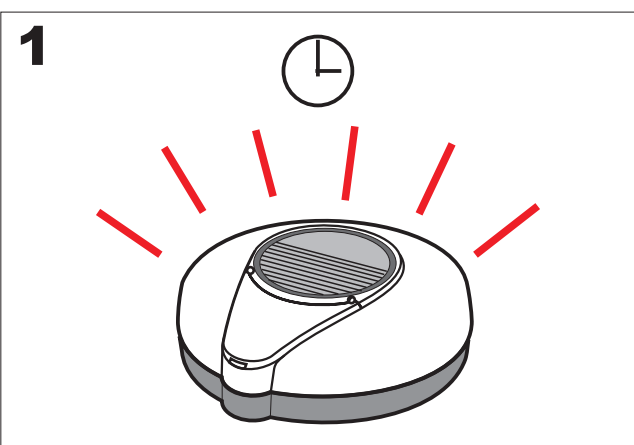
Addoz Oy, Kirkonkyläntie 3 A,
FI-00700 Helsinki Finland

Tel +358(0)9 2271 100
Fax +358(0)9 2271 101

www.addoz.com

AZ10126-0

INSTRUCTIONS



1. Press button 1 for 3 seconds - the time starts blinking.

2. Set hours with button 2 and minutes with button 3. Accept by pressing button 1.

3. C:28/14 indicates the number of compartments. Change by pressing button 3. Accept by pressing button 1.

4. L:15-0 indicates audio volume. Change by pressing button 3. Accept by pressing button 1.

5. Set dose times, 1 - 4 times / day. Set hours with button 2 and minutes with button 3. NB! If medication is to be taken twice a day, for example, set dose time 3 to --:-- (no time). Accept by pressing button 1.

6. Press button1 for 3 seconds.

7. Press button 3 for 3 seconds. The display will read SI-HO. Button 1 moves the cassette one notch, button 2 returns the cassette to the initial position. Press button 3 for 3 seconds. The display then shows the time and number of compartments (14 or 28).

When the lid is closed, press on the display to check the next dose time.